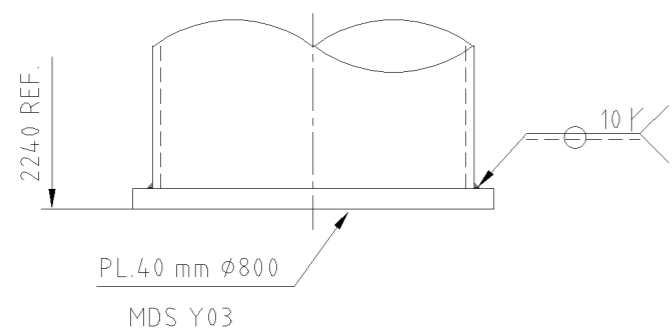
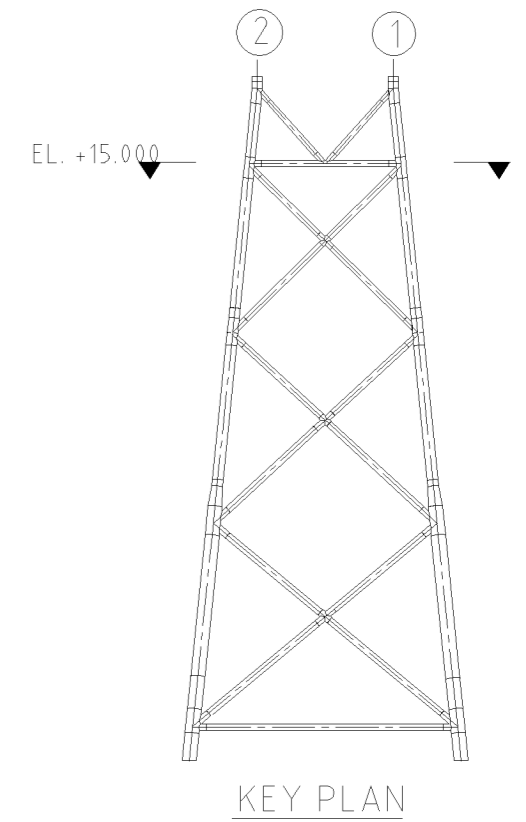


PLAN EL. +15.000



DETAIL 1
SCALE 1:25



KEY PLAN

WEIGHT/VEKT:

NOTES:

1. FOR GENERAL NOTES AND STANDARD ABBREVIATIONS SEE DRG. IP-A0-N-9002-01
2. FOR WELDS AND STANDARD DETAILS SEE DRG. IP-A0-N-9021-01 & IP-A0-N-9022-01
3. MATERIAL NORSOK MDS Y30 (420-I) U.N.O MEMBERS WITH OD 600 AND BELOW: MDS Y03 (355-III)
4. FOR CONDUCTOR GUIDE DETAILS SEE DRG. IP-A0-N-9182-01

REF. NO.	SHOP DRAWING	DESIGN DRAWING
REFERENCE		

REV	ISSUE DATE	DESCRIPTION	REF. NO.	DRAWN BY	CHK'D BY	APPR. DISC.	APPR. CONTR.
Z	12.09.2002	ISSUED FOR ASBUILT	NCAa	TKT	TA		
05	10.12.01	IRE-SSUED FOR CONSTRUCTION	MR	TKT	JH		
04	15.06.01	ISSUED FOR CONSTRUCTION	MR	TKT	JH		
03	15.05.01	ISSUED FOR MTO 2	TRH	TKT	JH		
02	26.03.01	ISSUED FOR MTO 1	JG	TKT	JH		
01	22.12.00	ISSUED FOR CONCEPT FREEZE	TRH	TKT	JH		



SECTION NO.		CADFILE NAME	
N	XG	J00	
DISC. CODE	INFO TYPE	AREA CODE	FUNC. CODE
1:200	A3	96	AKV
SCALE	SIZE	SYSTEM CODE	ORG. CODE

Valhall Water Injection Jacket			
GENERAL ARRANGEMENT			
PLAN EL. +15.000			
IP-A0-N-9111	001	Z	
DOCUMENT NO	SHEET	REV	STATUS

DRAWN BY/TELEPHONE: xxxxxxxx xxxxxxxxxxxx Tel.: xxxxxx