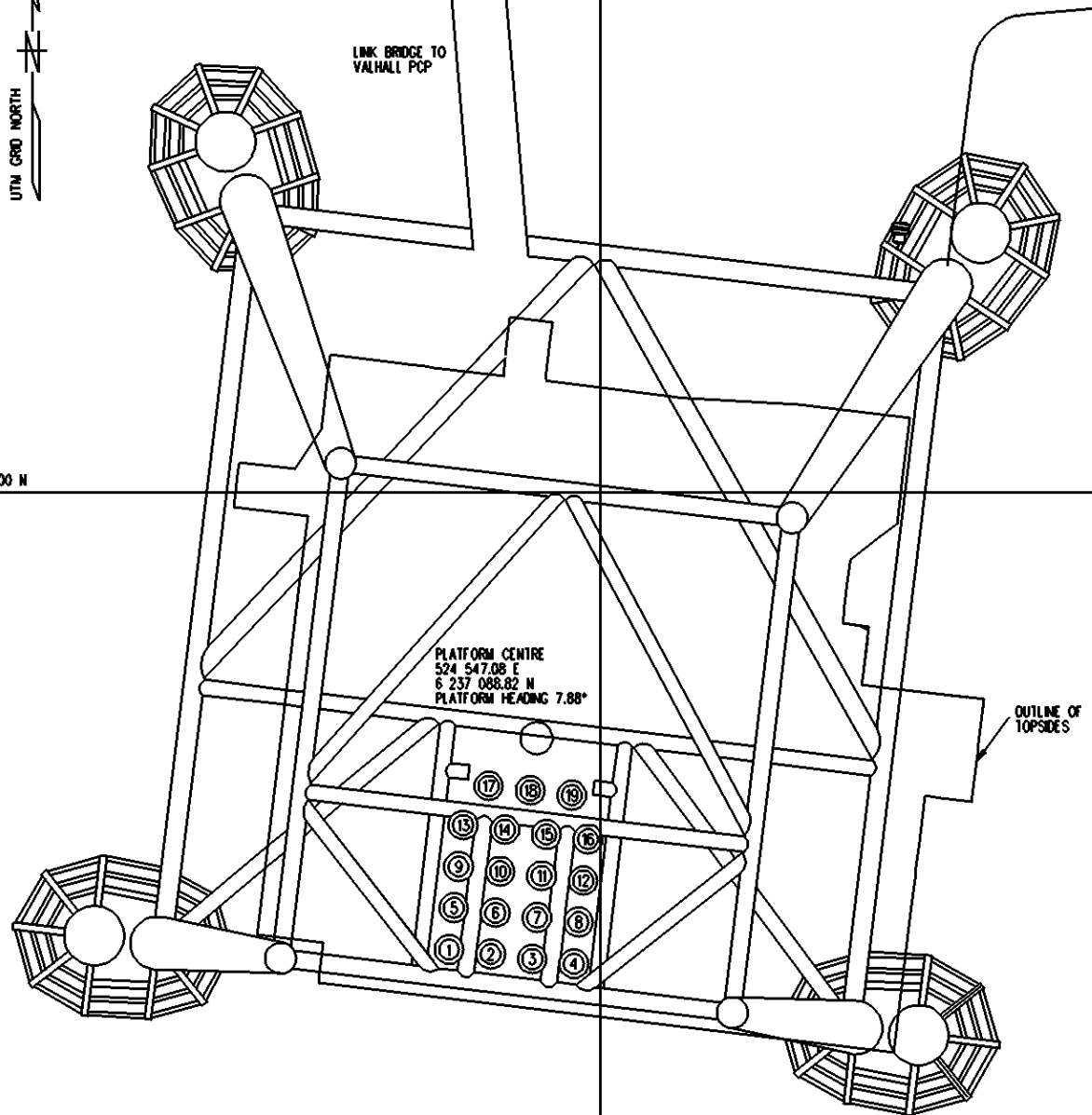




LINK BRIDGE TO VALHALL PCP



PLATFORM CENTRE
524 547.08 E
6 237 088.82 N
PLATFORM HEADING 7.88°

OUTLINE OF TOPSIDES

VALHALL WELLHEAD PLATFORM

524 550 E

SLOT No.	EASTING	NORTHING	SLOT No.	EASTING	NORTHING
1	524 542.945	6 237 079.273	11	524 547.205	6 237 082.547
2	524 544.828	6 237 079.027	12	524 549.088	6 237 082.301
3	524 546.712	6 237 078.780	13	524 543.684	6 237 084.924
4	524 548.595	6 237 078.534	14	524 545.568	6 237 084.677
5	524 543.191	6 237 081.157	15	524 547.451	6 237 084.431
6	524 545.075	6 237 080.910	16	524 549.335	6 237 084.184
7	524 546.958	6 237 080.664	17	524 544.872	6 237 086.684
8	524 548.842	6 237 080.417	18	524 546.756	6 237 086.437
9	524 543.438	6 237 083.040	19	524 548.639	6 237 086.191
10	524 545.321	6 237 082.794			

INFORMATION FOR WELL SLOT POSITIONS IS TAKEN FROM BLOM REPORT:
VALHALL FIELD: GPS, WELLS AND SUBSIDENCE REPORT, MARCH/APRIL 1998, REV.D

- NOTES
- FIELD DATUM INTERNATIONAL SPHEROID ED50 DATUM UNIVERSAL TRANSVERSE MERCATOR PROJECTION ZONE 31 CENTRAL MERIDIAN 3° EAST, STATEMENTS KARTHYERK TRANSFORMATION PARAMETERS WGS84-ED50.
 - KPS DENOTED IN TITLE BLOCK ARE APPROXIMATE ONLY, FOR ACTUAL KPS SEE INDIVIDUAL PIPELINES.
 - SURVEY REPORTS:
 - CHARLINE SURVEYS 1996, VALHALL PLATFORM TO EKOFISK-CMDEN PIPELINE TIE-IN, PIPELINE ROUTE SURVEY
 - GEOTEAM ANNUAL PIPELINE INSPECTION (1995)
 - DSND ANNUAL INSPECTION, 1996

LEGEND

⬠ KILOMETRE POST

66-00-10-CE-002	VALHALL PLATFORM, FIBRE CABLE, AS LAD CHART (ABB)
123412	VALHALL PLATFORM, AS LAD CHART (NorSea Com)
PREL01.F.DWG	EKOFISK FIELD LAYOUT, 1 OF 4 (PPCON DATA)
DRAWING No.	TITLE
	REFERENCE DRAWINGS

REV.	DESCRIPTION	DRAWN	CHECKED	APPROVED	DATE
ZA	AS-BUILT				12.11.99
AI	ISSUED FOR CLIENT REVIEW				12.02.99
					12.11.99
					OS

BP Amoco BP AMOCO NORGE AS **BP Amoco**

JP KENNY AS
Fabrikvei 8, 4033 FORUS
Phone 47 51 89100

VALHALL EKOFISK II PROJECT

VALHALL WP PLATFORM
WELL SLOTS

CAD FILE No: P:\MIS\08\9\PP-014.DGN ORIGINAL SCALE: MTS SHEET: A1

00 - 07 - 00 - PP - 014 ZA

BP AMOCO DRAWING NUMBER REVISION